

DRIVER AC/DC PER APPLICAZIONI CON LED UV-C 103261



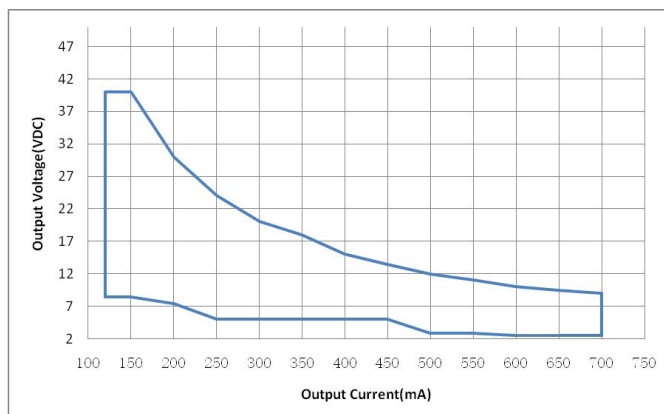
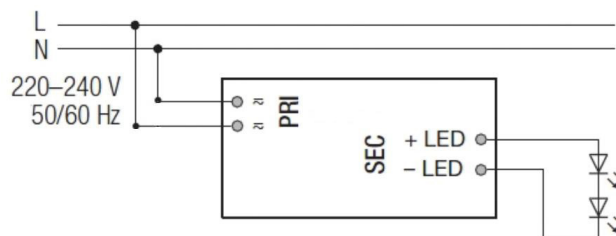
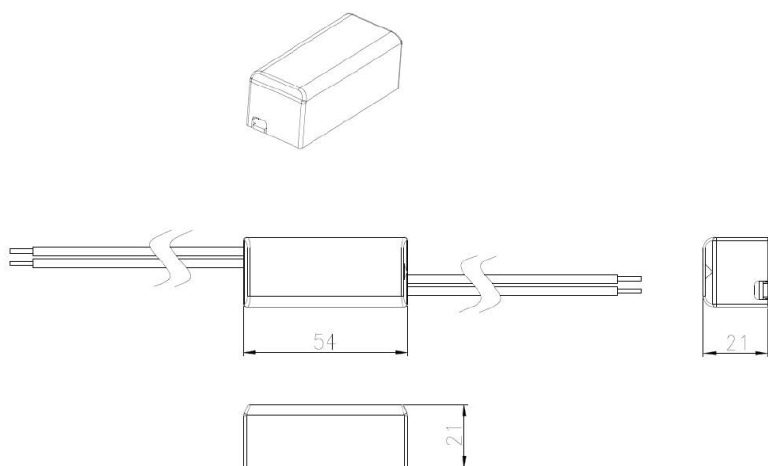
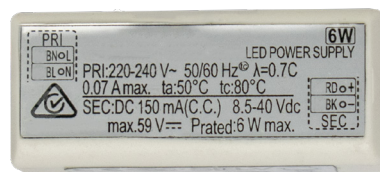
Descrizione

103261 è un driver LED a corrente costante da 6 W con corrente di uscita da 120mA a 700 mA. Con le sue dimensioni compatte da 54 x 21 mm è facile da integrare in varie applicazioni.

Per garantire un corretto funzionamento viene fornita protezione contro il cortocircuito dell'uscita e il sovraccarico.

Caratteristiche tecniche

- Class II SELV built-in
- Input Voltage 220-240VAC
- Protections: SCP/OLP/OVP
- Power Factor 0.7C
- Efficiency $\geq 76\%$



Operating window 100%

Versioni disponibili a catalogo

cod.prodotto	tensione di ingresso	corrente in uscita	potenza in uscita max	No load working voltage	Corrente massima	dimensioni
103261-120	8.5-40VDC	120mA	4.8W	59VDC	0.07A	54 x 21 mm (sp. 21mm)
103261	8.5-40VDC	150mA	6W	59VDC	0.07A	
103261-200	7.5-30VDC	200mA	6W	45VDC	0.07A	
103261-250	5-24VDC	250mA	6W	35VDC	0.07A	
103261-300	5-20VDC	300mA	6W	34VDC	0.07A	
103261-350	5-18VDC	350mA	6.3W	25VDC	0.07A	
103261-400	5-15VDC	400mA	6W	25VDC	0.07A	
103261-450	5-13.5VDC	450mA	6.1W	24VDC	0.07A	
103261-500	2.8-12VDC	500mA	6W	23VDC	0.07A	
103261-550	2.8-11VDC	550mA	6.1W	22VDC	0.07A	
103261-600	2.5-10VDC	600mA	6W	25VDC	0.07A	
103261-650	2.5-9.5VDC	650mA	6.2W	25VDC	0.07A	
103261-700	2.5-9VDC	700mA	6.3W	25VDC	0.07A	

Per maggiori informazioni contattare i nostri uffici tecnici



DRIVER AC/DC PER APPLICAZIONI CON LED UV-C 103261

FUOCOFREDDO
Via Licinio Ferretti 5/A
43126 Parma (PR)
C.F. / P.IVA 02669720340
Tel. 0521.1404565
info@fuocofreddo.it
www.fuocofreddo.it

Installation must be carried out under observation of the relevant regulations and standards. The LED modules are designed for operation within a casing or luminaire. Installation must be carried out in a voltage-free state (i.e. disconnection from the mains).

The following advice must be observed; non-observance can result in the destruction of the LED assembly modules, fire and/or other hazards.

- Consider safety regulations acc. EN 60598 in the luminaire design, especially when the operating LED driver is not galvanic isolated.
- In mode of operation regard to sufficient isolation.
- Live parts must not be touched in operation mode. Danger in life!!!
- ESD (electrostatic discharge) protection measures must be observed when handling and installing the LED modules. See VS's application notes on ESD protection.
- Adequate anti-static electricity measures, including the use of conductive shoes, ionizers, work bench grounding, wrist straps, flooring and stools should be used.
- LED assembly modules must not be subjected to any undue mechanical stress, e. g.:
 - do not treat as bulk cargo
 - avoid shear and compressive forces during handling and installation
 - do not damage circuit paths
 - avoid any pressure on the light emitting surface
- Safe operation only possible by the use of external constant current sources (I_{max}. see table "Electrical Characteristics").
- Operation only with power supply units that feature the following protection:
 - Short-circuit protection
 - Overload protection
 - Overheating protection
- The module can be fixed with M3 screws. Fixation only with flat or cylinder head screws (M3) (no countersank screws) Max. torque: 1.2 Nm (M3)
- Please ensure the correct polarity of the leads prior to commissioning. Reversed polarity can destroy the modules.
- For interconnection the LED modules is equipped with push-in terminals (WAGO 2060).
- Safety regulations acc. to EN 60598 (or further standards) has to be observed if the maximum output voltage exceed the permitted touchable value.
- The following points must be observed when connecting LED modules in parallel:
 - All LED strings that are wired in parallel must contain the same number of LEDs (symmetrical loading).
 - Owing to differing forward biases, there can be a difference of up to 10% in brightness between modules connected in parallel.
- To ensure problem-free operation, the specified maximum temperature at the tp point (see "Operating Life") must be observed (and measured in accordance with EN 60598-1). To satisfy this point, it may be necessary to put measures in place to ensure any heat is dissipated from the PCB to the environment.
- In the event of outdoor applications or applications in damp locations, care must be taken to protect LED assembly modules against humidity, splashes and jets of water. Any corrosion damage resulting from humidity or contact with condensation will not be recognized as a defect or manufacturing fault. LED assembly modules are not specially protected against foreign bodies or dust. Depending on the type of application, further protection must be ensured to prevent dust and foreign bodies from entering.
- Due to the manufacturing process, the PCBs of the LED assembly modules can have sharp edges and corners. Care must therefore be taken during handling and installation to avoid injury.
- For optimal load of used constant current driver the modules can only be connected in series. The quantity of LED modules is limited by the sum of forward voltage and the capacity of used constant current driver. Safety regulations acc. to EN 60598 has to be observed if the sum of forward voltage exceed the permitted touchable value.
- Operating LED modules in the presence of certain chemical substances or in chemically enriched (aggressive) environments can impair module functionality or even cause total module failure.
- The photobiological safety of the LED modules must be classified into risk groups in accordance with IEC / TR 62778: risk group 1 (except HB, 6500 K, > 500 mA: risk group 2)

Vedere condizioni di vendita scaricabili dal sito www.fuocofreddo.it

See sales conditions downloadable from the website www.fuocofreddo.it

AC/DC DRIVER FOR APPLICATIONS WITH UV-C LED 103261

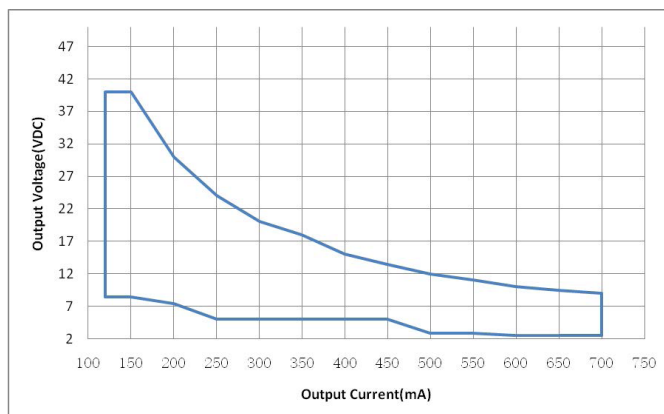
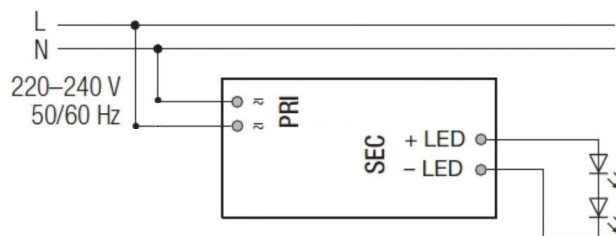
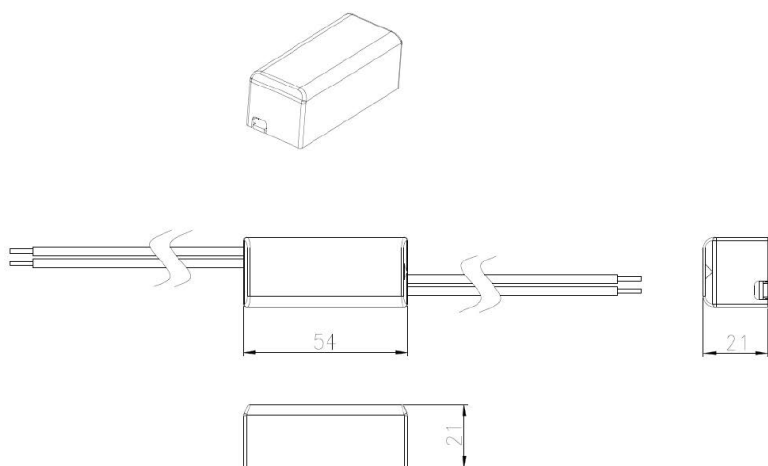
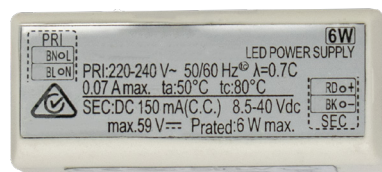
Description

103261 is a 6W constant current LED driver with output current from 120mA to 700mA. With its compact dimensions of 54 x 21 x 21 mm it is easy to integrate into various applications.

To ensure proper operation, protection against output short circuits and overloads is provided.

Technical features

- Class II SELV built-in
- Input Voltage 220-240VAC
- Protections: SCP/OLP/OVP
- Power Factor 0.7C
- Efficiency $\geq 76\%$



Versions available in the catalog

product code	input voltage	output current	output power max	No load working voltage	Maximum current	size
103261-120	8.5-40VDC	120mA	4.8W	59VDC	0.07A	54 x 21 mm (sp. 21mm)
103261	8.5-40VDC	150mA	6W	59VDC	0.07A	
103261-200	7.5-30VDC	200mA	6W	45VDC	0.07A	
103261-250	5-24VDC	250mA	6W	35VDC	0.07A	
103261-300	5-20VDC	300mA	6W	34VDC	0.07A	
103261-350	5-18VDC	350mA	6.3W	25VDC	0.07A	
103261-400	5-15VDC	400mA	6W	25VDC	0.07A	
103261-450	5-13.5VDC	450mA	6.1W	24VDC	0.07A	
103261-500	2.8-12VDC	500mA	6W	23VDC	0.07A	
103261-550	2.8-11VDC	550mA	6.1W	22VDC	0.07A	
103261-600	2.5-10VDC	600mA	6W	25VDC	0.07A	
103261-650	2.5-9.5VDC	650mA	6.2W	25VDC	0.07A	
103261-700	2.5-9VDC	700mA	6.3W	25VDC	0.07A	

For more information contact our technical offices



AC/DC DRIVER FOR APPLICATIONS WITH UV-C LED 103261

FUOCOFREDDO
Via Licinio Ferretti 5/A
43126 Parma (PR)
C.F. / P.IVA 02669720340
Tel. 0521.1404565
info@fuocofreddo.it
www.fuocofreddo.it

Installation must be carried out under observation of the relevant regulations and standards. The LED modules are designed for operation within a casing or luminaire. Installation must be carried out in a voltage-free state (i.e. disconnection from the mains).

The following advice must be observed; non-observance can result in the destruction of the LED assembly modules, fire and/or other hazards.

- Consider safety regulations acc. EN 60598 in the luminaire design, especially when the operating LED driver is not galvanic isolated.
- In mode of operation regard to sufficient isolation.
- Live parts must not be touched in operation mode. Danger in life!!!
- ESD (electrostatic discharge) protection measures must be observed when handling and installing the LED modules. See VS's application notes on ESD protection.
- Adequate anti-static electricity measures, including the use of conductive shoes, ionizers, work bench grounding, wrist straps, flooring and stools should be used.
- LED assembly modules must not be subjected to any undue mechanical stress, e. g.:
 - do not treat as bulk cargo
 - avoid shear and compressive forces during handling and installation
 - do not damage circuit paths
 - avoid any pressure on the light emitting surface
- Safe operation only possible by the use of external constant current sources (I_{max}. see table "Electrical Characteristics").
- Operation only with power supply units that feature the following protection:
 - Short-circuit protection
 - Overload protection
 - Overheating protection
- The module can be fixed with M3 screws. Fixation only with flat or cylinder head screws (M3) (no countersank screws) Max. torque: 1.2 Nm (M3)
- Please ensure the correct polarity of the leads prior to commissioning. Reversed polarity can destroy the modules.
- For interconnection the LED modules is equipped with push-in terminals (WAGO 2060).
- Safety regulations acc. to EN 60598 (or further standards) has to be observed if the maximum output voltage exceed the permitted touchable value.
- The following points must be observed when connecting LED modules in parallel:
 - All LED strings that are wired in parallel must contain the same number of LEDs (symmetrical loading).
 - Owing to differing forward biases, there can be a difference of up to 10% in brightness between modules connected in parallel.
- To ensure problem-free operation, the specified maximum temperature at the tp point (see "Operating Life") must be observed (and measured in accordance with EN 60598-1). To satisfy this point, it may be necessary to put measures in place to ensure any heat is dissipated from the PCB to the environment.
- In the event of outdoor applications or applications in damp locations, care must be taken to protect LED assembly modules against humidity, splashes and jets of water. Any corrosion damage resulting from humidity or contact with condensation will not be recognized as a defect or manufacturing fault. LED assembly modules are not specially protected against foreign bodies or dust. Depending on the type of application, further protection must be ensured to prevent dust and foreign bodies from entering.
- Due to the manufacturing process, the PCBs of the LED assembly modules can have sharp edges and corners. Care must therefore be taken during handling and installation to avoid injury.
- For optimal load of used constant current driver the modules can only be connected in series. The quantity of LED modules is limited by the sum of forward voltage and the capacity of used constant current driver. Safety regulations acc. to EN 60598 has to be observed if the sum of forward voltage exceed the permitted touchable value.
- Operating LED modules in the presence of certain chemical substances or in chemically enriched (aggressive) environments can impair module functionality or even cause total module failure.
- The photobiological safety of the LED modules must be classified into risk groups in accordance with IEC / TR 62778: risk group 1 (except HB, 6500 K, > 500 mA: risk group 2)

Vedere condizioni di vendita scaricabili dal sito www.fuocofreddo.it

See sales conditions downloadable from the website www.fuocofreddo.it